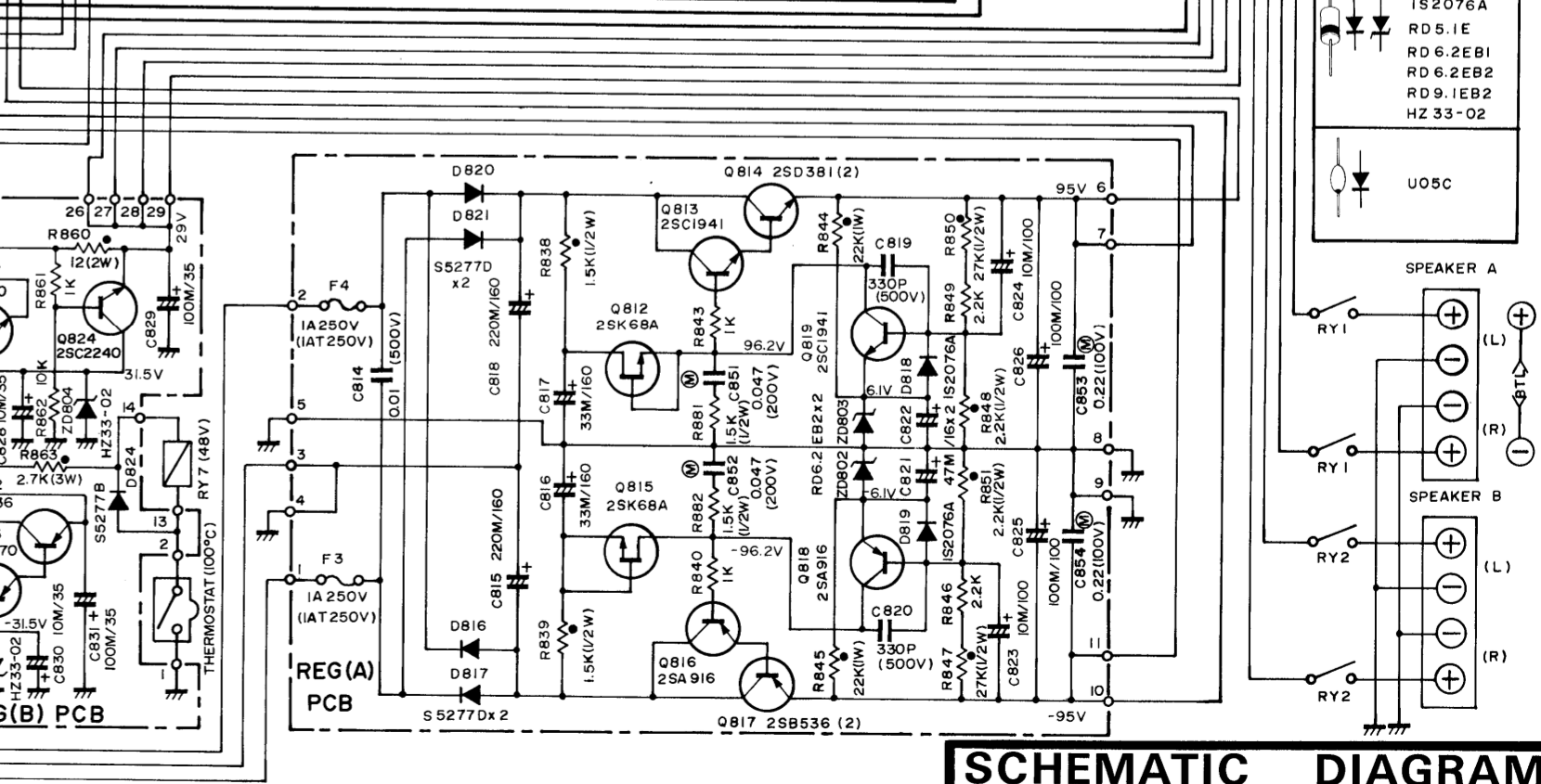
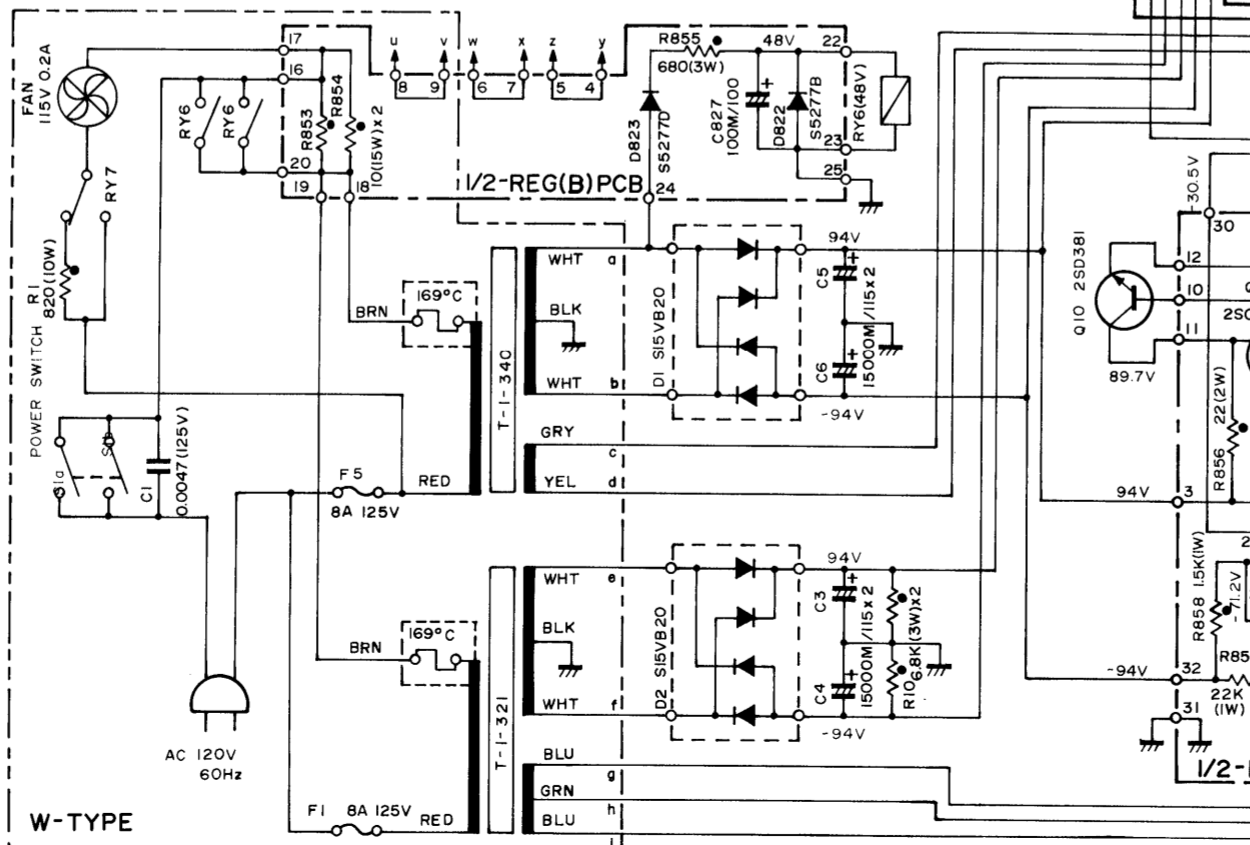
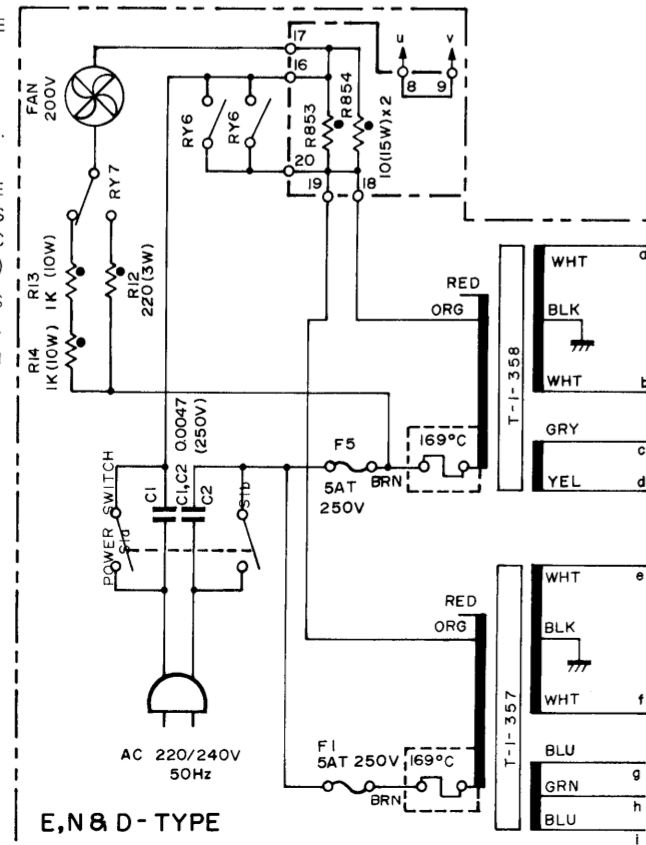


NOTES:
 1. SCHEMATIC IS SUBJECT TO CHANGE WITHOUT NOTICE.
 UNLESS OTHERWISE SPECIFIED:
 2. RESISTANCE VALUES ARE IN OHMS. K=1,000; M=1,000,000
 3. CAPACITANCE VALUES 1.0 AND ABOVE ARE IN pF OR μF (P = pF, M = μF), LESS THAN 1.0 ARE IN μF. (ELECTROLYTIC CAPACITANCE VALUES ARE IN μF/WV.)
 4. VOLTAGES ARE MEASURED TO CHASSIS GROUND WITH A "DC VOLTMETER".
 V : VOLTAGES MEASURED WITH NO SIGNAL APPLIED.

SCHEMATIC SYMBOLS:
 (M) POLYESTER FILM CAPACITOR
 (B) BIPOLAR CAPACITOR
 (●) NONFLAMMABLE RESISTOR



2SA733A	EC B
2SA872A	EC B
2SA970	EC B
2SC945L	EC B
2SC2240	EC B
2SA916	EC B
2SC1941	EC B
2SC1904	EC B
2SA1006B	B C E
2SB536	B C E
2SC2336B	B C E
2SD381	B C E
2SA964A	EC B
2SC2224A	EC B
2SB600	B C E
2SD555	B C E
2SK68A	D G S
S2 02 2SK150	DI OI
SUBSTRATE	
S5277B	
S5277D	
IS2076	
IS2076A	
RD5.1E	
RD6.2EB1	
RD6.2EB2	
RD9.1EB2	
HZ33-02	
U05C	

SCHEMATIC DIAGRAM
NIKKO ALPHA-VI
 STEREO POWER AMPLIFIER